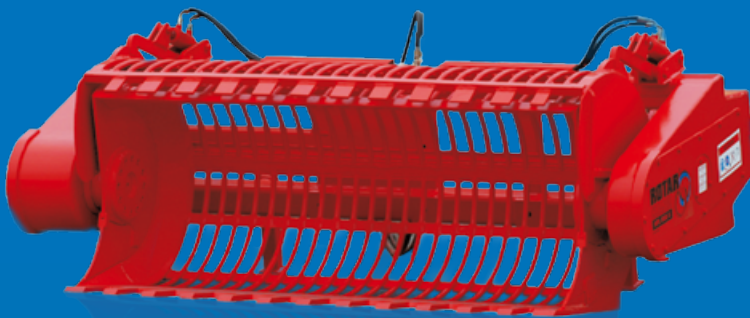


▶ Rotar Cleaner - a multi-tool

A Rotar Cleaner is a rotating screening drum, which separates, mixes and cleans various materials in one continuous motion. With the Rotar Cleaner, a simple physical principal is translated to a useful attachment for the recycling, demolition and earthmoving industries.

Loading and unloading is easy with the Rotar Cleaner. By means of a hydraulic cover, the Rotar Cleaner can be opened and easily used as a standard wheeled loader bucket.



During the rotation, the fine's fall out of the drum and the bigger sizes stay in. By use of various sizes of changeable screens, different effects can be realized. With the rolling effect of the material, which stays in the drum, a cleaning reaction is realized by the scouring.



▶ Applications:

- Topsoil cleaning
- Cleaning of contaminated soils
- Brick cleaning
- Back filling of cable and pipelines
- Recycling of rubble
- Excavation of graveyards
- Clearance of Anti Personnel Mines
- Beach-cleaning
- Composting

The pleasant operation, the basic maintenance, the high productivity and the great versatility turn the Rotar Cleaner into an investment, which pays itself back in short time.

A company with perspective is operating a "Rotar Cleaner"

▶ Rotar Cleaner

▶ Sorting/Demolition Grab

▶ Scrap Shear

▶ Hydraulic Breaker

▶ Segregator Bucket

▶ Tyne Re-handling Grab

▶ Crusher Bucket

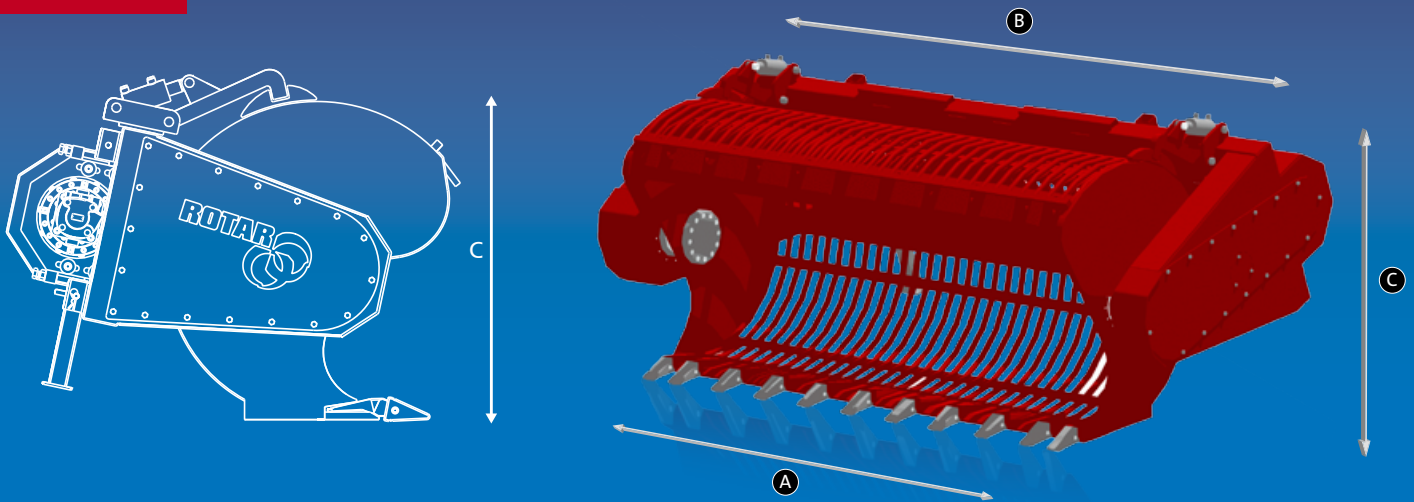
▶ Pulverizer

▶ Combi Shear

▶ Steel Shear

▶ Rail Cutter





TYPE HPL	HPL 400 M	HPL 600 S	HPL 800 S	HPL 1500 S	HPL 2000 S	HPL 2500 I	HPL 3000 I
	Compact			Standard		Industrial	
Drum Capacity (l)	400	600	800	1560	2000	2500	3000
Drum Weight (kg)**	385	675	875	1700	2200	2544	2780
Dimension A (mm)	1500	1600	1800	2225	2325	2580	2880
Dimension B (mm)	2035	2120	2385	2935	3025	3130	3430
Dimension C (mm)	610	705	755	1000	1120	1170	1170
Operation pressure min./max (bar)**	120/250	120/250	120/250	120/250	120/250	120/250	120/250
Oilflow (l/min.)***	A 50/ B50	A 75/ B75	A 75/ B75	A 125/ B125	A 125/ B125	A 160/ B160	A 160/ B160
Rotar Hole-Pattern	410	420	430	450	460	470	470
Distance between ribs (mm)	45	45	45	45	45	60	60

Specifications may change without prior notice

- * Weight exclusive flat hinge-plate, without screens
- ** Operation pressure 20 - 60 higher with B-hydraulics
- *** A=A-hydraulic / B=B-hydraulic

Hydraulica:

Rotar Cleaner is available in A-and B-hydraulics:

A-hydraulic: Carriermachine has to be provided with a proportional regulative, reversible hydraulic third valve spool

B-hydraulic: Carriermachine only has a black/white hydraulic spool with one flowdirection, e.g. a hammervalue

C-Hydraulic: Carriermachine has to be provided with 2 proportional regulative, reversible hydraulic valve spools

Options:

Exchangeable insert screens from spring steel in # 6 / 10 / 15 / 20 / 25 / 30 / 35 / 40 and 45 mm

Your Attachment Supplier