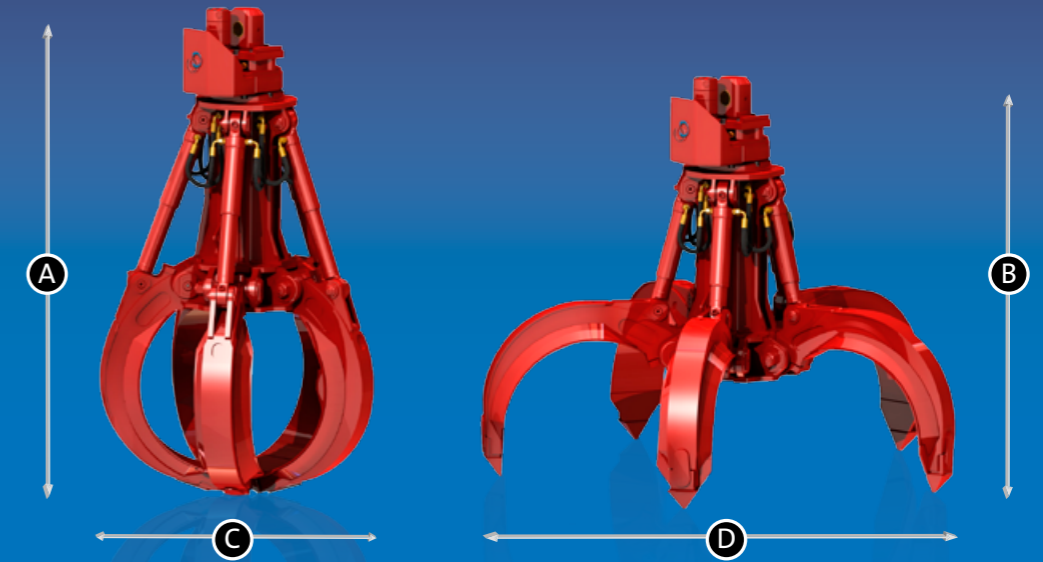


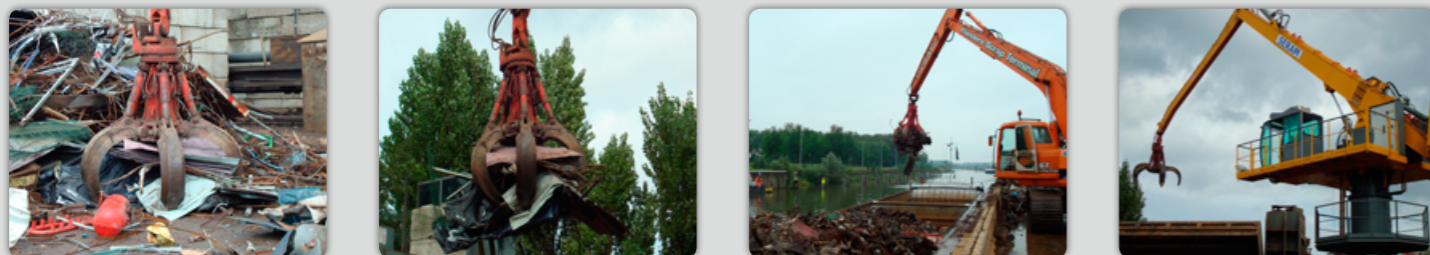
▶ RPG-Series



Type RPG	RPG 4-600	RPG 4-800	RPG 6-600	RPG 6-800	RPG 6-1000
<b>Information</b>					
CAPACITY (L)	600	800	600	800	1000
WEIGHT (KG) *					
OPEN	1590	1625	1860	1895	2100
HALF-OPEN	1675	1725	1950	2030	2250
CLOSED	1732	1800	2025	2155	2390
HYDRAULIC EXCAVATOR (T)	16-30	16-30	30-50	30-50	30-50
MAX. LIFTING CAPACITY GRAB (T)	8	8	10	10	10
MAX. LIFTING CAPACITY ROTATOR (T)	20	20	25	25	25
<b>Dimensions</b>					
DIMENSION A (MM)	2340	2435	2362	2466	2540
DIMENSION B (MM)	1900	1930	1917	1964	1989
DIMENSION C (MM)	1435	1604	1435	1612	1740
DIMENSION D (MM)	2490	2692	2490	2693	2840
<b>Hydraulic</b>					
PRESSURE MAX. CYLINDER (BAR)		350		350	
PRESSURE MAX. HYDRAULIC MOTOR (BAR)		200		200	
FLOW MAX. CYLINDER (L/MIN)		115		120	
FLOW MAX. HYDRAULIC MOTOR (L/MIN)		50		50	

\* Grab weight excl. adapter  
 \*\* Dimensions under construction  
 - Pin adapter diameter 70 mm  
 - Also 4-Tyne version available

specifications may change without prior notice



Your Attachment Supplier

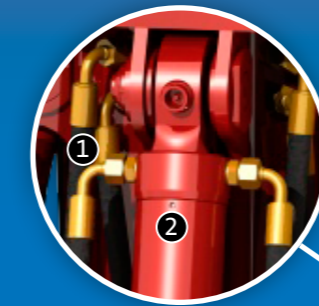
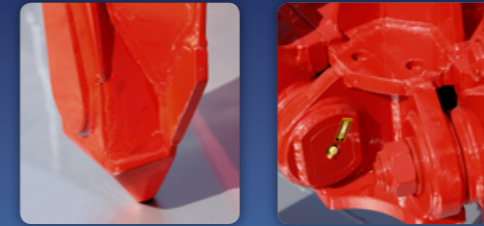
## ▶ Rotator Head

- Rotator head with slewing
- Motor fitted with internal relief-valve
- High torque
- Service friendly

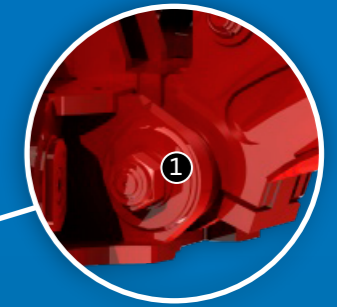


## ▶ RPG-Series

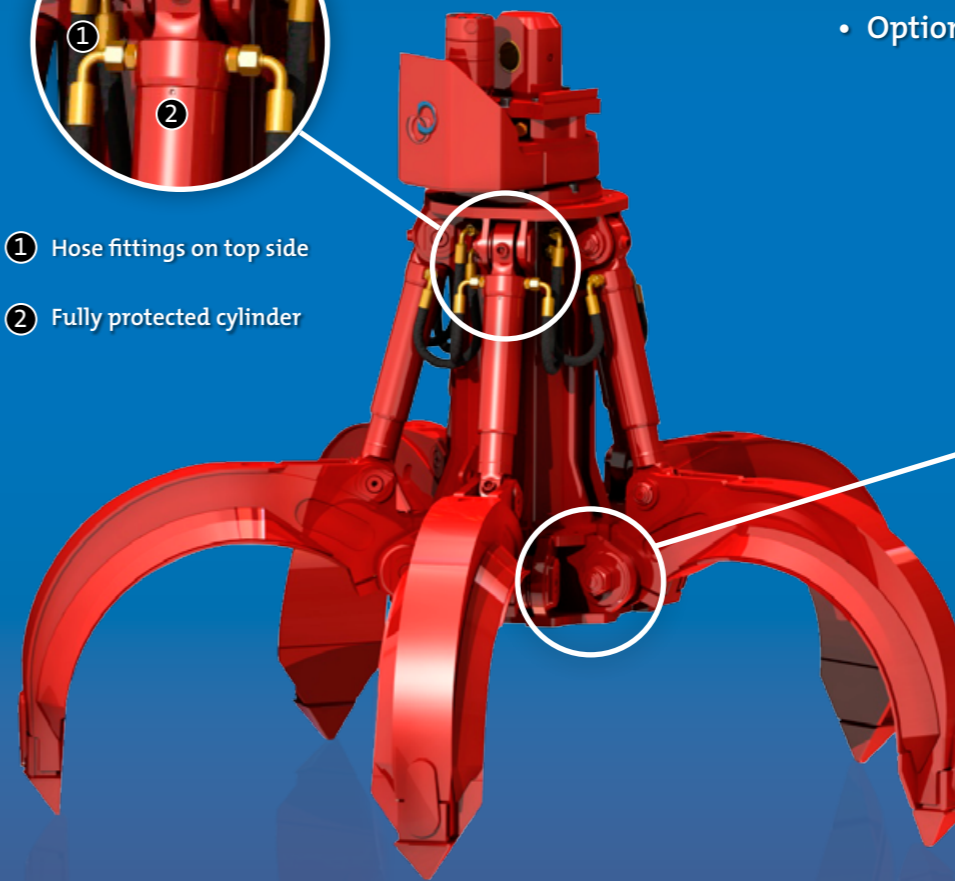
- HD-Concept
- Strong rotator
- Wear resistant shells
- Pivot area fitted with dust seals
- Stable mainframe
- Heat treated pins and bushing
- Cylinder protected by robust tube
- Optional cylinder frame protection



- ① Hose fittings on top side
- ② Fully protected cylinder



- ① HD pivot group



## ▶ Features

- Excellent penetration
- Fast cycle time open / close
- Long lasting wearparts
- Modular constructed
- Pressure relief valve on cylinder circuit
- Cylinder with end-cushioning
- Also available with 4 Tynes

## ▶ Shell Type:



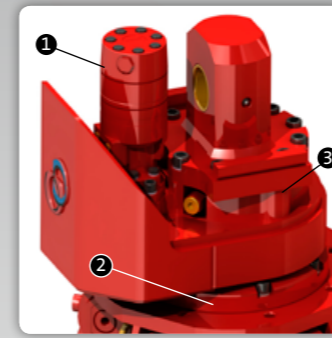
▶ RPG...- Open



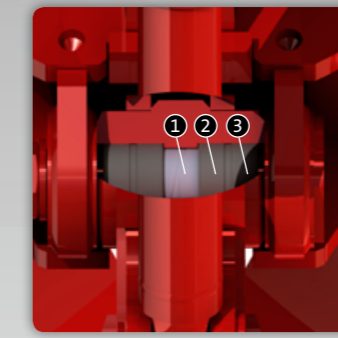
▶ RPG...- Half Open



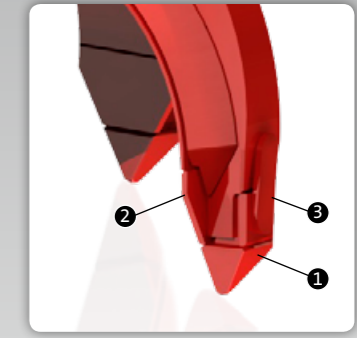
▶ RPG...- Closed



- ① External motor
- ② HD-Bearing
- ③ Integrated swivel



- ① Tempered pin
- ② Wear-bushing
- ③ Dust-seals



- ① Manganese teeth
- ② HD-tip Hardox
- ③ Outside wear-plate