

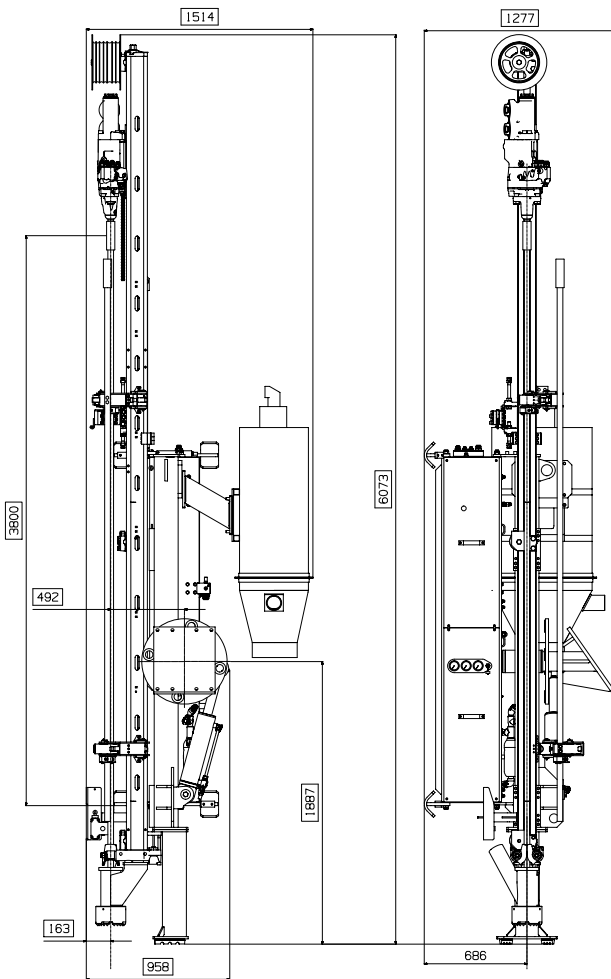


Drilling Attachment | CPA 225 E



Drilling Attachment | CPA 225 E

With CPA Montabert drilling attachment, your hydraulic excavator can be used for drilling as well as loading, trenching and demolishing.



	Si	Imp	Si	Imp
Feed type			ACH	ACH
Drifter Model			HC 50	HC 50
Drilling Power	Kw	hp	12	16
Strike frequency	Hz	BPM	56	3360
Reverse Percussion			no	no
GENERAL SPECIFICATIONS				
Weight	Kg	Lbs	1450	3197
Length	mm	ft	6073	19,9
Width	mm	ft	940	3,1
Height	mm	ft	1277	4,2
Boom axis Oscillation Angle			4 x 100°	4 x100°
DRILLING INFORMATIONS				
Shank Ø	mm	in	R32 - T38	R32 - T38
Usual Drilled diameters	mm	in	38 to 76	1 1/2 to 3"
Rod length	m	ft	4,270	14
Drilled length (single pass)	m	ft	3,8	12,5
Extension rods	m	ft	3,660	12
ROD HANDLING				
Rod rack			no	no
Single rod adder			Option (1 rod)	Option (1 rod)
Rod changer			no	no
Drilling controls			Radio control	Radio control
Air flushing flow (Maxi)	m3/mn	CFM	3	106
Air flushing pressure	Mpa	PSI	0,7 to 1	100 to 145
CARRIER SPECIFICATIONS				
Weight range	t	t	15 to 25	16 to 27
Minimum drill power	Kw	hp	54	72
Drilling equipment Flow	l/mm	GPM	160	42
Drilling equipment pressure	Mpa	PSI	20	2901
Maximum back pressure	Mpa	PSI	1,0	145
Maximum Oil temperature	°C	°F	70	158
Oil viscosity range @ 40°C	cSt	cSt	12 to 75	12 to 75
HP inlet diameter	mm	in	25,4	1"
LP outlet diameter	mm	in	32	1 1/4"
Drain diameter	mm	in	12,7	1/2"
Electrical supply	V/A	V/A	24/5	24/5
Connection plate type			M700 / M900	M700 / M900
OPTIONS				
Dust collector # 1				
	Type		Hydraulic	Hydraulic
	Model		HS 900	HS 900
Air Flow (Maxi)	m3/mn	CFM	not applicable	not applicable
Air Pressure	Mpa	PSI	not applicable	not applicable
Oil Flow	l/mm	GPM	25	7
Oil Pressure	Mpa	PSI	12	1740
Filter Area	m ²	ft ²	9,6	103
Filter Cleaning system			Reverse Air	Reverse Air
Weight	Kg	lb	180	397
Mechanical support			Yes	Yes



Montabert : an international presence in more than 100 countries. Optimize the performance of your demolition accessories by contacting our network which is designed to support our products. The Montabert network will provide you with expertise during implementation, maintenance with original spare parts, technical assistance and training.

mail.info@montabert.com
www.montabert.com

©2013 MONTABERT 86745312-a-EN (03-2013)



MONTABERT SAS - 203, route de Grenoble - CS 80097- 69805 Saint-Priest Cedex - France

Nothing contained in this brochure is intended to extend any warranty or representation expressed or implied, regarding the products described herein. Any such warranties or other terms and conditions of sale products shall be in accordance with Montabert's standard terms and conditions of sale for such products, which are available upon request. Specifications and machines can be modified at any time and without notice.