

▶ Rotar Static Pulverizer

Incredible cutting power combined with easy to replace wear parts make this Rotar Static Pulverizer the perfect concrete pulverizer for secondary demolitions. The RSP-series can easily crush the concrete and remove the reinforcement.



The Rotar Static Pulverizer has been fitted with replaceable teeth. It's impressive to watch these rows of teeth cutting through the extremely strong concrete. The design of the jaws guarantees powerful penetration of the material.

The speed valve that was specially developed by Rotar makes sure that the jaws close quickly and that they switch from speed to power mode as soon as the job requires cutting power. The pulverizer's body has been assembled from high-grade and wear-resistant materials, making it extremely strong.

The cross-mounted hydraulic cylinder ensures optimal efficiency of the cutting power and a compact design with a favourable centre of gravity. The large diameter of hoses, bores and pipes reduce the return pressure in the hydraulic system and contribute to this pulverizer's extraordinary performance.

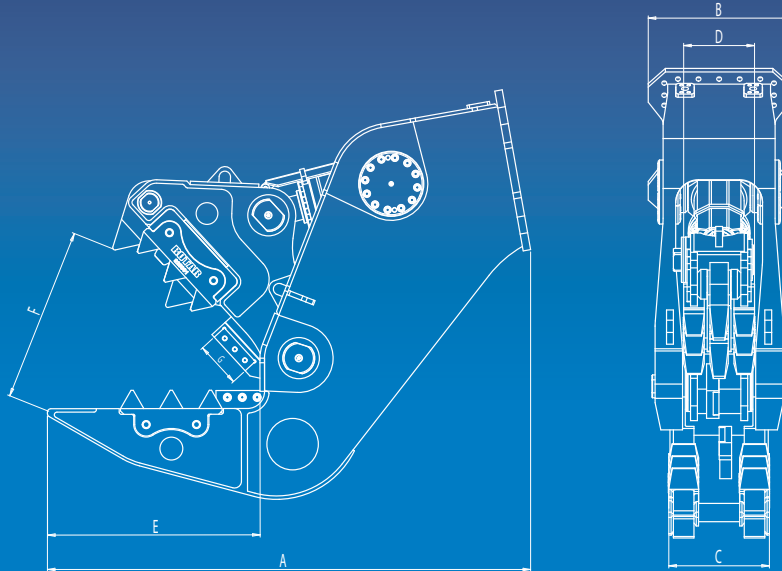
Customers can opt to have the Rotar Static Pulverizer fitted with replaceable cutting knives deep in the pulverizer's jaws. These will cut the concrete's reinforcement into smaller chunks.

Ingenious, reliable, service-friendly, fast cycle times and enormous cutting power. The Rotar RSP series guarantees maximum productivity.

▶ Static Pulverizer

- ▶ Sorting-/ Demolition Grab
- ▶ Demolition Combi Shear
- ▶ Demolition Pulverizer
- ▶ Scrap Shear
- ▶ Rail Cutter
- ▶ Orange Peel Grab
- ▶ Hydraulic Hammer
- ▶ Screening Drum
- ▶ Segregator Bucket





Type RSP	20 S	25 S
Informatie		
WEIGHT (KG) **	2200	2765
OPEN / CLOSE (SEC.)	1,9 - 1,2	*
CUTTING FORCE POSITION 1 (T)	70	*
CUTTING FORCE POSITION 2 (T)	107	*
HYDRAULIC EXCAVATOR (T)	15 - 25	24 - 35
ROTAR HOLE-PATTERN	140-150	140-150
Dimensions		
DIMENSION A (MM)	2115	*
DIMENSION B (MM)	620	*
DIMENSION C (MM)	440	*
DIMENSION D (MM)	310	*
DIMENSION E (MM)	930	*
DIMENSION F (MM)	760	*
DIMENSION G (MM)	200	*
Hydraulic		
MAX. OPERATION PRESSURE CYLINDER (BAR)	350	350
OIL-FLOW CYLINDER (L/MIN.)	150 - 250	150 - 250
CONNECTOR SIZE	G 1 1/4"	G 1 1/4"

* dimensions under construction

** Weight exclusive adapterplate with bracket

specifications may change without prior notice